

## VIDEOTREC



### Introduction

VIDEOTREC<sup>®</sup> M5120 matrix switcher is 512 x 64 video modular microprocessor-based, high-density matrix architecture. The construction of its flexible configuration is composed of Matrix Power Supply with CPU Module, Matrix Bay, Video Input Module, and Video Output Module.

The Matrix can connect with external Audio Rack and Alarm Rack to expand switcher facility. The Matrix Power Supply and Matrix Bay are the basic unit. It has 10 slots to let you plug in and play Video Module in the Matrix Bay. The system design is perfectly suitable for large size CCTV projects.

The Matrix Bay maximum consist of 512 video input by 64 monitor output. Convenience and friendly operation interface and OSD screen display function, all of the matrix functions and peripheral devices can be setup by menu.



### Main Features

- M5120 Matrix can operate alone or be linked up to 32 units of VIDEOTREC<sup>®</sup> series Matrix.
- Modular design, maximum of 512 video inputs, 64 monitor outputs.
- 32 video inputs per video input card, 16 video outputs per video output card.
- If the CCTV system need more than 512 video input in one CPU module, the M5120 Matrix can be expanded to maximum 1024 video inputs by 64 video outputs in one CPU module.
- Optional audio input/output rack and alarm rack, can be linked up to 1024 units.
- Selectable on-screen display: each monitor can display the date/time, video input number, 16-character user definable video input title. (English or Chinese characters, options for others)
- Update firmware or setup menu via PC Windows.
- System self diagnostics and video loss detection.
- One activated alarm can trigger a maximum of 5 camera image displays with individual dwell time (1 ~ 99 sec.), alarm dwell time (1 ~ 99 sec). 100 sets of alarm message can be edited by user.
- 32 sequence tours, each sequence is composed of 32 steps of video input.
- Programmable 16 Salvos, allowing multiple video inputs to be called simultaneously to multiple contiguous video outputs.
- Salvo switching time 1 ~ 99 seconds, manually call or auto run.
- Fixed and variable-speed pan/tilt/zoom and dome control through VIDEOTREC<sup>®</sup> series keyboard.
- Up to 16 units of VIDEOTREC<sup>®</sup> series keyboard can be linked.
- Dual main-system will auto change when anyone is NG, if two sets of m5120 (Power supply with CPU)
- Combined simultaneously (Option).

# M5120 Video Matrix System

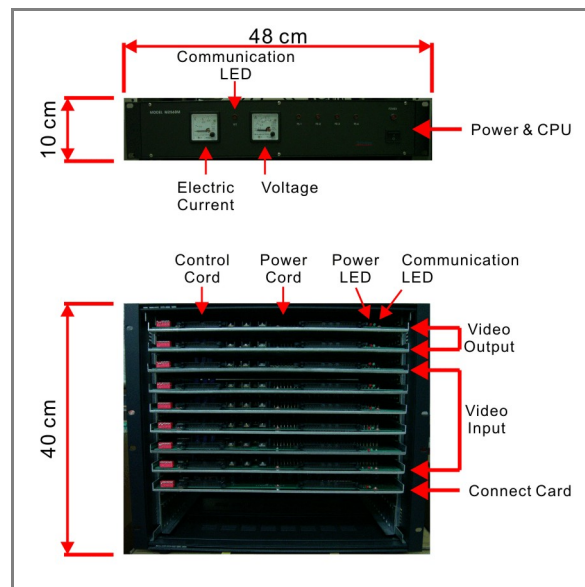
## Technical Specification

- Video Input : Maximum 512
- Amplitude Of Video Input : 1Vp-p 75Ω
- Maximum Keyboard Link : 16
- Communication Mode : RS485x2, RS232x2
- Signal/Noise Ratio : 60dB
- Input and Output : -65dB
- Data Transmission Range : 1.5Km
- Gain : 0dB ± 0.5dB
- Environmental Humidity : 95%
- Power Consumption : 220W
- Relay Type : NO / NC
- Weight : 25Kg
- Video Output : Maximum 64
- Amplitude Of Video Output : 1Vp-p 75Ω
- Text Insert : Black and white
- Communication Rate : 1200 ~ 9600 bps
- Adjacent Channel Cross Talk : -55dB
- Video Transmission Distance : 400M
- Band Width : 15MHz
- Environmental Temperature : -10°C ~ +50°C
- Power Supply : AC 110V/220V 60Hz
- Output of Alarm Linked Relay : 0.5A
- Dimension : 435 × 605 × 360 (W×H×D)

## Order Information

- M5120-B Matrix Bay with CPU module
- M5120-P Matrix Power Supply
- M5120-VIC 32 Video Input Card
- M5120-VOC 16 Video Output Card

## Assembling



Copyright by 2007 Eastel Taiwan, Inc.