

VIDEOTREC



Introduction

- Fire Retardant ABS Housing.
- 9" Tinted Acrylic Dome Cover.
- Optional heater and fan to maintain working temperature.
- Quick On/Off dome cover for installation & maintenance.
- Panel Mounting Hole: 255 mm
- Meet IP33 Protection level.

ADAPTORS

	Models
AXIS	213、213OR、214、231D、232D、233D
CANON	VB-C50IR、VB-C50I
GANZ	ZN-PT304、ZC-PT223N
JVC	VN-C215V、VN-625U、VN-C655、TK-C676
PANASONIC	WV-NF284、BB-HCM381、BB-HCE-481、BB-HCM581/580、BB-HCM403 WV-C320、WV-CS570、WV-CS574、WV-CS850、WV-CS950、WV-CS954 WV-NW484S、WV-NS202A、WV-NF284、WN-NS324
SAMSUNG	SPD-1000、SPD-1600D、SPD-2300、SPD-3000、SVD-4020、SVD-4120A SVD-4300
SANYO	9300P、9400P
SONY	SNC-RZ30P、EVI-D70P/W、SNC-RZ25P
TOSHIBA	IK-WB21A、IK-WB21E

TECHNICAL DATA

ENVIRONMENT

Fan : 40°C ON , 30°C OFF

Heater : 5°C ON , 15°C OFF

In 12V DC , Consumption 12W Max.

ACCESSORIES

P1230 EN Power Supply in 12V DC for En

P1230 USA Power Supply in 12V DC for USA

P1230 EU Power Supply in 12V DC for EU

P1230 JP Power Supply in 12V DC for JAPAN

Fan Assisted Heater in 3A DC

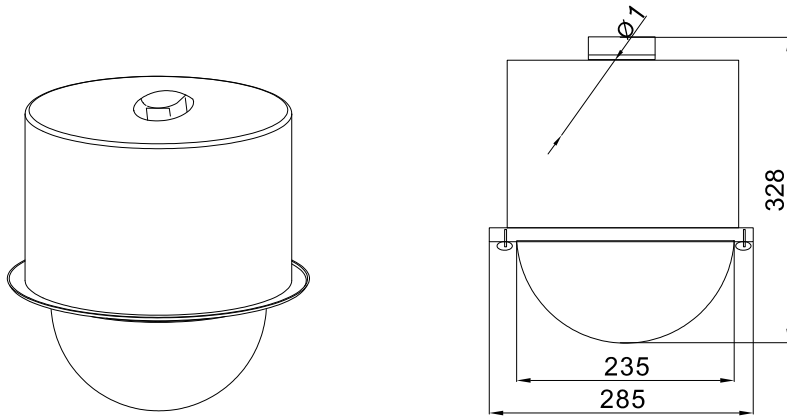
VT-12H Dome Enclosure

RELATED PRODUCTS

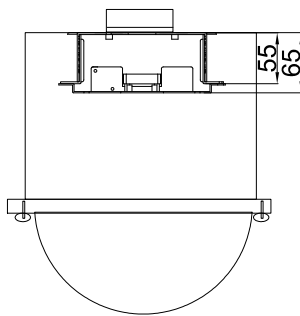
C701 Metal Parts

C603 Metal Parts

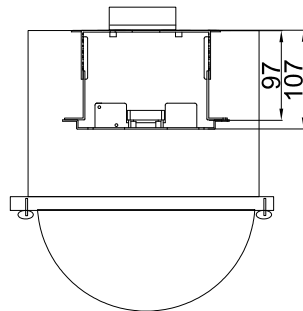
DIMENSIONS



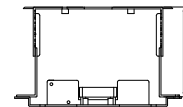
External Dimensions



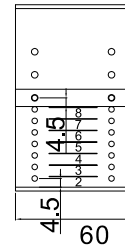
For Network Camera & Speed Dome



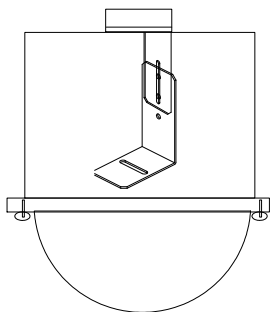
For Network Camera & Speed Dome



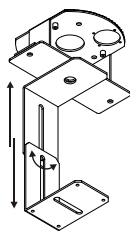
55-97 Adjustable



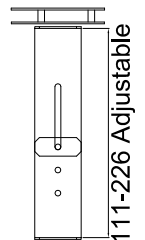
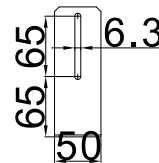
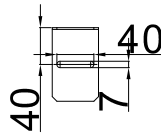
C701 Metal Parts



For Fixed Camera



C603 Metal Parts



111-226 Adjustable



Unit Weight:
2.1 kg

Package Weight:
3.1 kg

Package Dimensions (B x H x L):
30 x 30 x 46 cm

Copyright by 2007 Eastel Taiwan, Inc.