

VIDEOTREC



Introduction

- 6" Aluminum dome enclosure, suitable for indoor installation.
- 6" Tinted acrylic dome cover.
- Meet IP33 protection level.
- Optional heater and fan to maintain working temperature.
- Quick On / Off dome cover for installation & maintenance.
- A stainless steel retaining cable.
- Panel mounting hole: 225 mm.
- FEVE: durable environment, resistible acid & base, five years warrant. (Option)

ADAPTORS

	Models
AXIS	212、215、225FD、216
GANZ	ZN-PT304
JVC	VN-C215V
PANASONIC	BB-HCE481、BB-HCM381、BB-HCM580、BB-HCM581、WV-NF284
SAMSUNG	SID-450、SID-500、SPD-1000、SVD-4020、SVD-4120A、SVD-4300
TOSHIBA	IK-WB21A、IK-WB21E

TECHNICAL DATA

COMPLIANCE TO

CE According to EMC DIRECTIVE 89/336/EEC
(EN 61000-6-3 / EN 50130-4)

FCC According to FCC Part 15 Class B (DoC)

RoHS According to CS / 2006 / 70002 (SGS)

ACCESSORIES

P1230 EN Power Supply in 12V DC for En

P1230 USA Power Supply in 12V DC for USA

P1230 EU Power Supply in 12V DC for EU

P1230 JP Power Supply in 12V DC for JAPAN

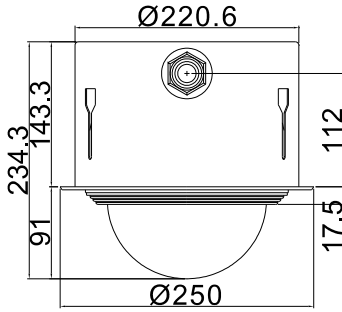
Fan Assisted Heater in 3A DC

VT-16H Dome Enclosure

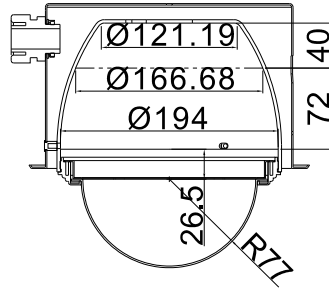
RELATED PRODUCTS

C601 Metal Parts
C602 Metal Parts
C603 Metal Parts

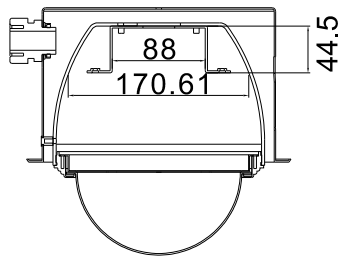
DIMENSIONS



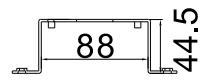
External Dimensions



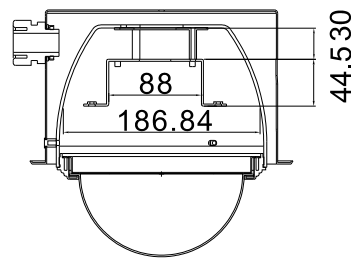
Internal Dimensions



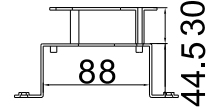
For Network Camera & Speed Dome



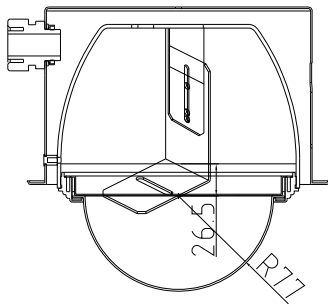
C601 Metal Parts



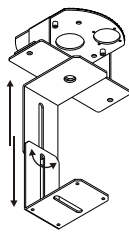
For Network Camera & Speed Dome



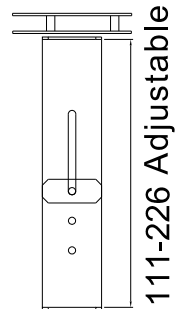
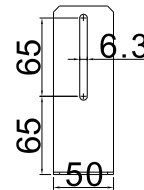
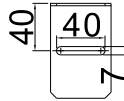
C601 Metal Parts



For Fixed Camera



C603 Metal Parts



111-226 Adjustable



Unit Weight:
2 kg

Package Weight:
2.65 kg

Package Dimensions (B x H x L):
26.1 x 26.1 x 26 cm

Copyright by 2007 Eastel Taiwan, Inc.